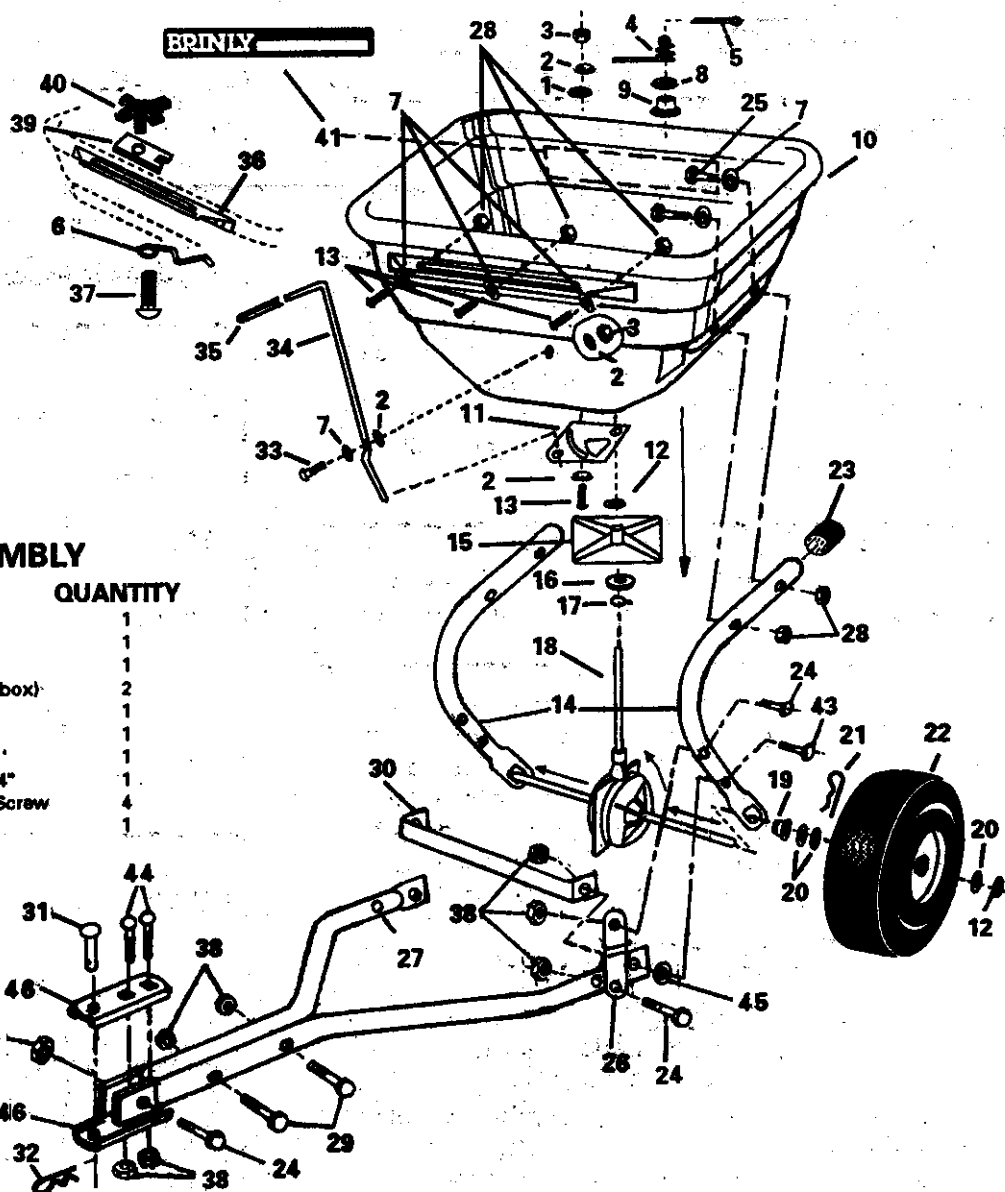
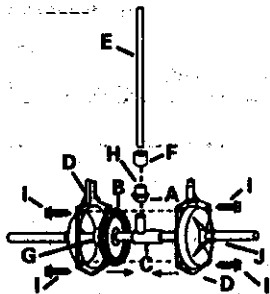


**TO ORDER PARTS:**  
 Brinly-Hardy Company  
 P.O. Box 18  
 Jeffersonville, IN 47131-0018  
 (877) 728-8224

**BRINLY**



**GEARBOX/AXLE ASSEMBLY**

REF. NO.	PART NO.	DESCRIPTION	QUANTITY
A	F-378	Pinion	1
B	F-454	Gear	1
C	F-457	Pinion Carrier	1
D	F-458-G	Housing Half (Gearbox)	2
E	F-844	Fan Shaft	1
F	F-398	Gearbox Cap	1
G	F-413	Spiral Pin, 5/32" x 1"	1
H	F-414	Spiral Pin, 1/8" x 3/4"	1
I	F-415	Hex Washer Head Screw	4
J	F-731-01	Axle	1

**PARTS LIST**

REF. NO.	PART NO.	DESCRIPTION	QUANTITY	REF. NO.	PART NO.	DESCRIPTION	QUANTITY
1	F313	Gate "O" Ring	1	24	1M1024P	Hex Bolt, 5/16" x 1 1/2"	5
2	F575	Nylon Thrust Washer	4	25	1M0828P	Hex Bolt, 1/4" x 1 3/4"	4
3	B1673P	Hex Lock Nut (Domed) - 1/4"	2	26	F-839-10	Brace	2
4	F-436	Torsion Spring Agitator	1	27	F-759-10	Tow Tube	2
5	50M0416P	Cotter Pin, 1/8" D. x 1	1	28	B-4785	Nylon Insert Nut, 1/4"	7
6	F-847	Flow Control Spring	1	29	1M1040P	Hex Bolt, 5/16" x 2 1/2"	2
7	45M0909P	Flat Washer, 1/4"	8	30	F-734-10	Cross Brace	1
8	F-365	"O" Ring, 3/8" (Fan Shaft)	1	31	B-3861	Hitch Pin	1
9	F-384	Fan Shaft Bearing, 3/8"	1	32	D-146P	Hair Pin Cotter	1
10	F-836	Hopper	1	33	20M0814P	Round Head Screw, 1/4" x 7/8"	1
11	F-689	Shutter Plate	1	34	F-840	Shutter Handle	1
12	F-577	"E" Ring - 5/8"	3	35	B-3372	Vinyl Grip	1
13	20M0812P	Round Head Screw, 1/4" x 3/4"	4	36	F-771	Gage Plate	1
14	F-837-10	Hopper Support	2	37	10M1012P	Carriage Bolt, 5/16" x 3/4"	1
15	F-573	Fan	1	38	B-4786	Nylon insert Nut, 5/16"	11
16	F-591	Fan Driver	1	39	F-785	Gage Stop	1
17	F-595	Lock Clip	1	40	F-782	Knob	1
18	F-845	Gearbox & Axle Assembly	1	41	B-5924	Logo Decal	1
19	F-283	Axle Bearing	2	42	L-1602-BH	Instructions	1
20	45M2121P	Flat Washer, 5/8"	6	43	1M1032P	Hex Bolt, 5/16" x 2"	2
21	F-620	Hairpin Cotter	2	44	10M1032P	Carriage Bolt, 5/16" x 2"	2
22	F-842	Wheel	2	45	R-618	Heavy Washer, 5/16"	2
23	F-844	Vinyl Cap	2	46	R-892-10	Hitch Clevis	2